

**HOLDEN
AMERICA**

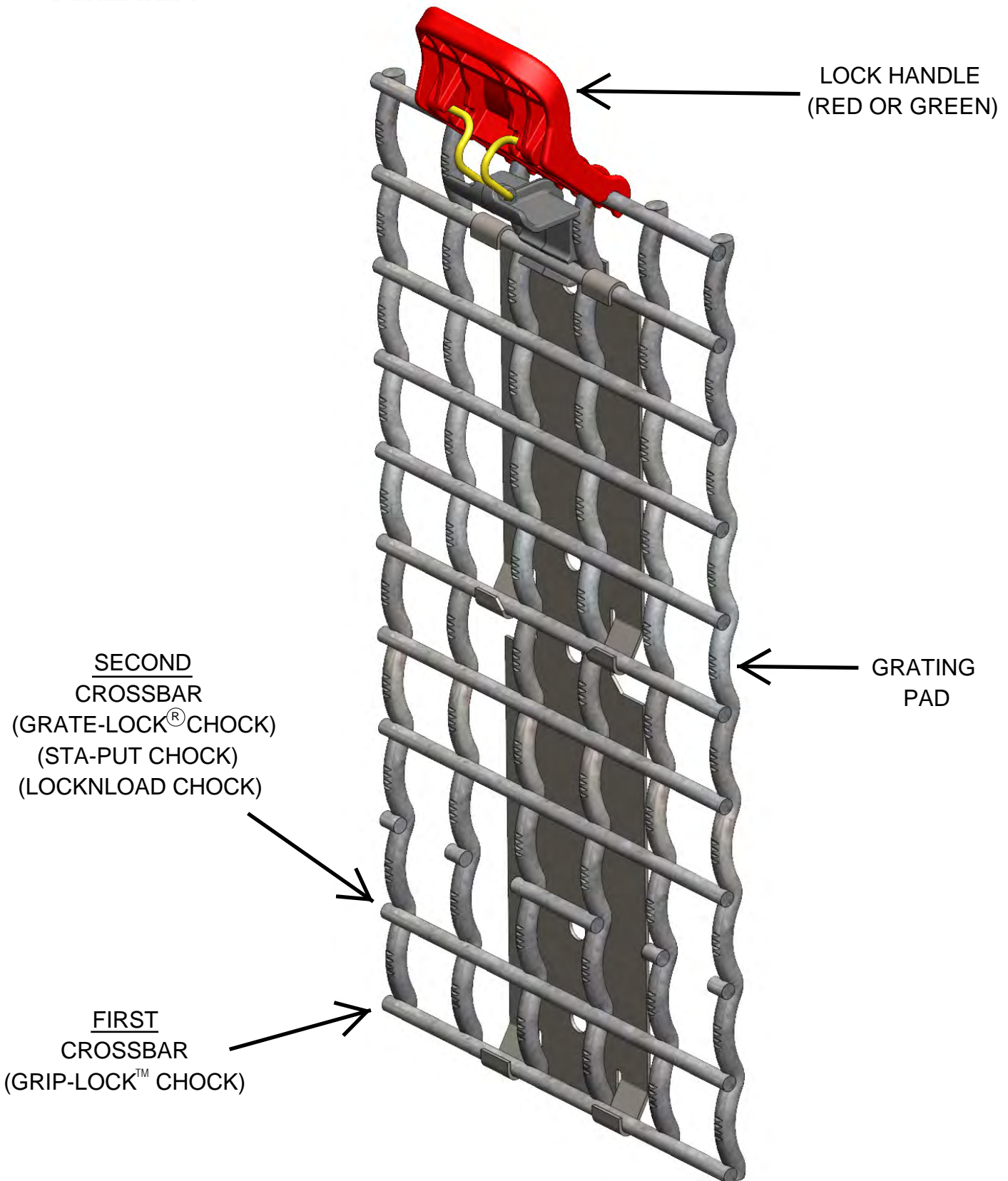
UNIVERSAL STORAGE PAD (USP)

CHOCK STORAGE AND
REMOVAL INSTRUCTIONS



UNIVERSAL STORAGE PAD

NOMENCLATURE





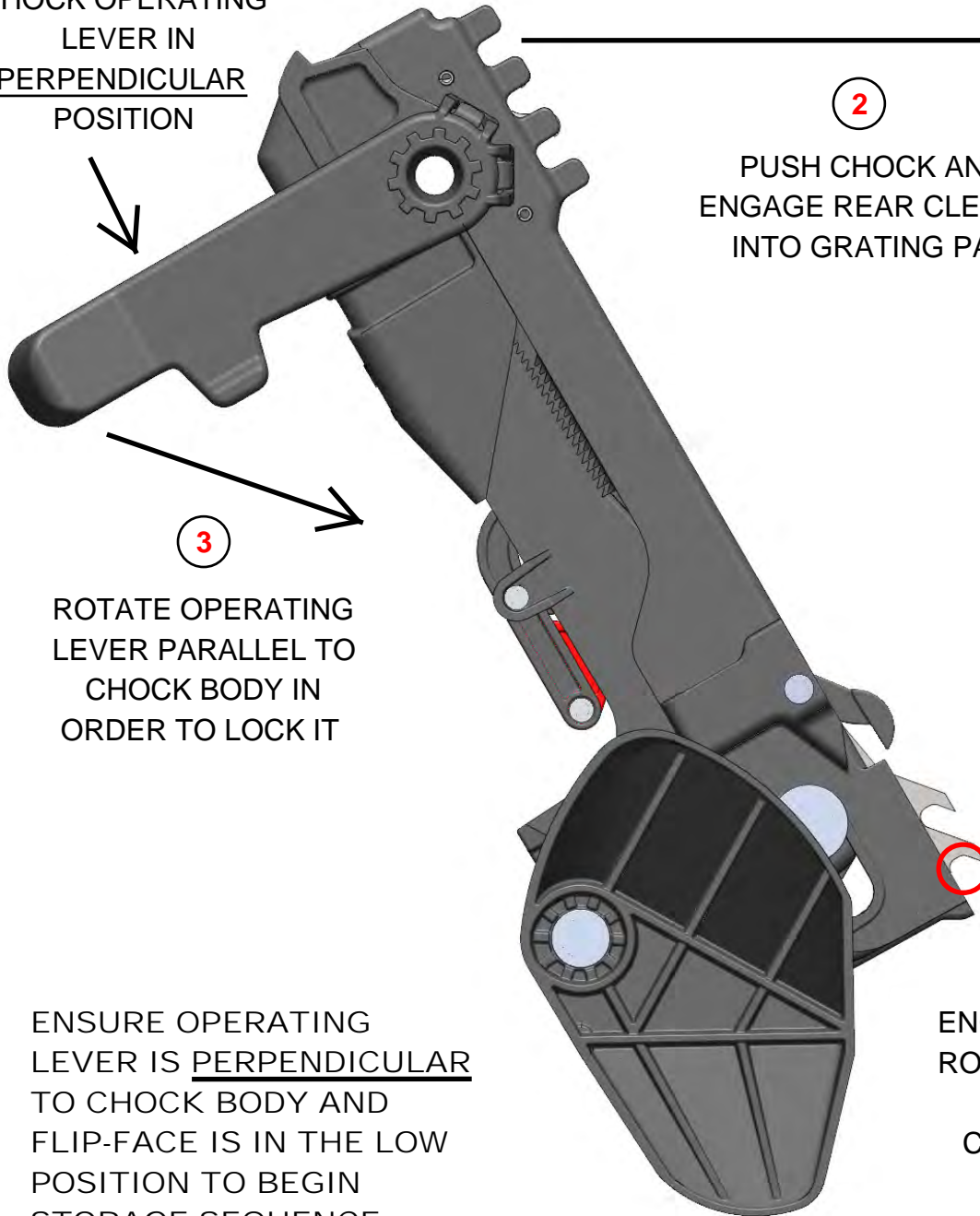
UNIVERSAL STORAGE PAD

HOLDEN GRIP-LOCK™ CHOCK

STORAGE INSTRUCTIONS

USP LOCK HANDLE IS NOT REQUIRED
FOR THIS CHOCK MODEL

CHOCK OPERATING
LEVER IN
PERPENDICULAR
POSITION



2
PUSH CHOCK AND
ENGAGE REAR CLEATS
INTO GRATING PAD

3
ROTATE OPERATING
LEVER PARALLEL TO
CHOCK BODY IN
ORDER TO LOCK IT

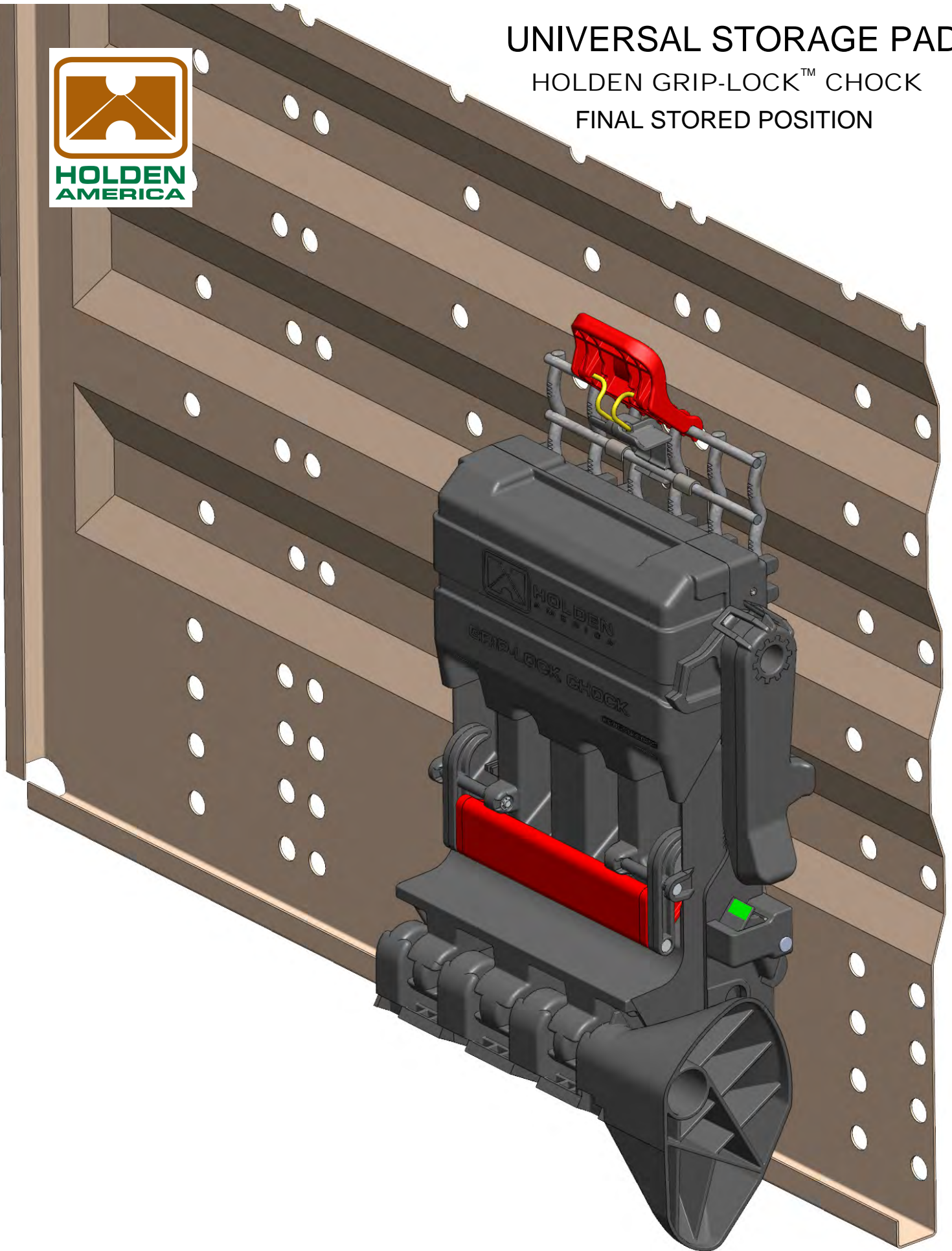
ENSURE OPERATING
LEVER IS PERPENDICULAR
TO CHOCK BODY AND
FLIP-FACE IS IN THE LOW
POSITION TO BEGIN
STORAGE SEQUENCE

1
ENGAGE FRONT
ROW OF TEETH
IN FIRST
CROSSBAR

UNIVERSAL STORAGE PAD

HOLDEN GRIP-LOCK™ CHOCK

FINAL STORED POSITION



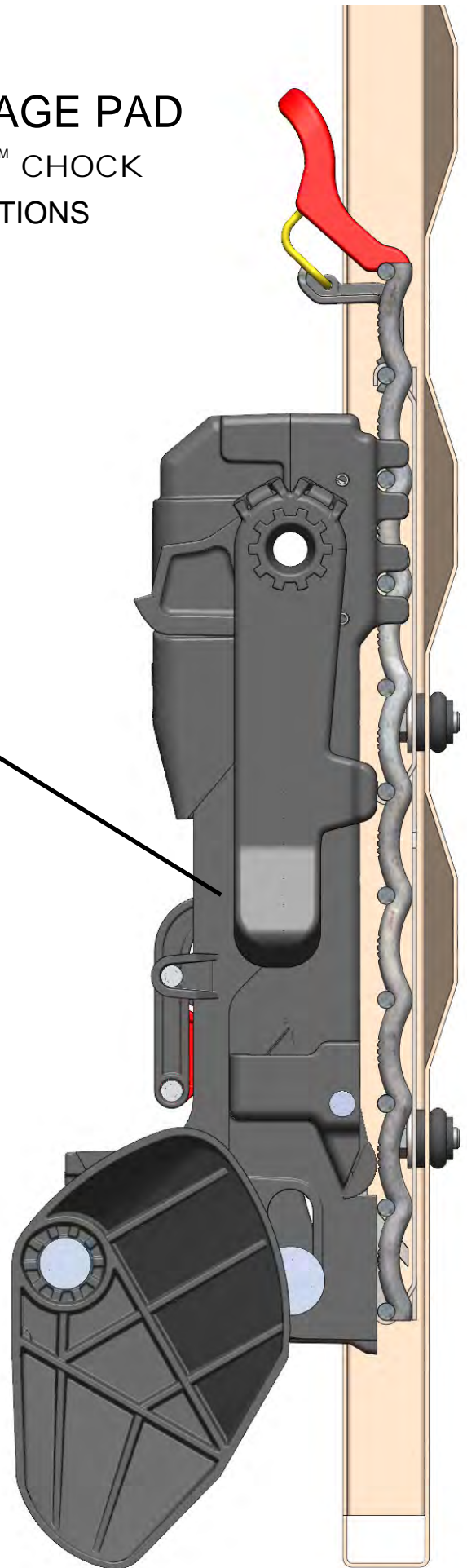
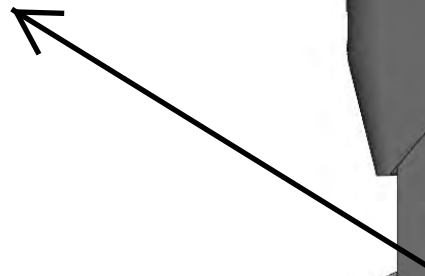


UNIVERSAL STORAGE PAD

HOLDEN GRIP-LOCK™ CHOCK

REMOVAL INSTRUCTIONS

①
ROTATE OPERATING
LEVER TO UNLOCK
CHOCK AND PULL OUT





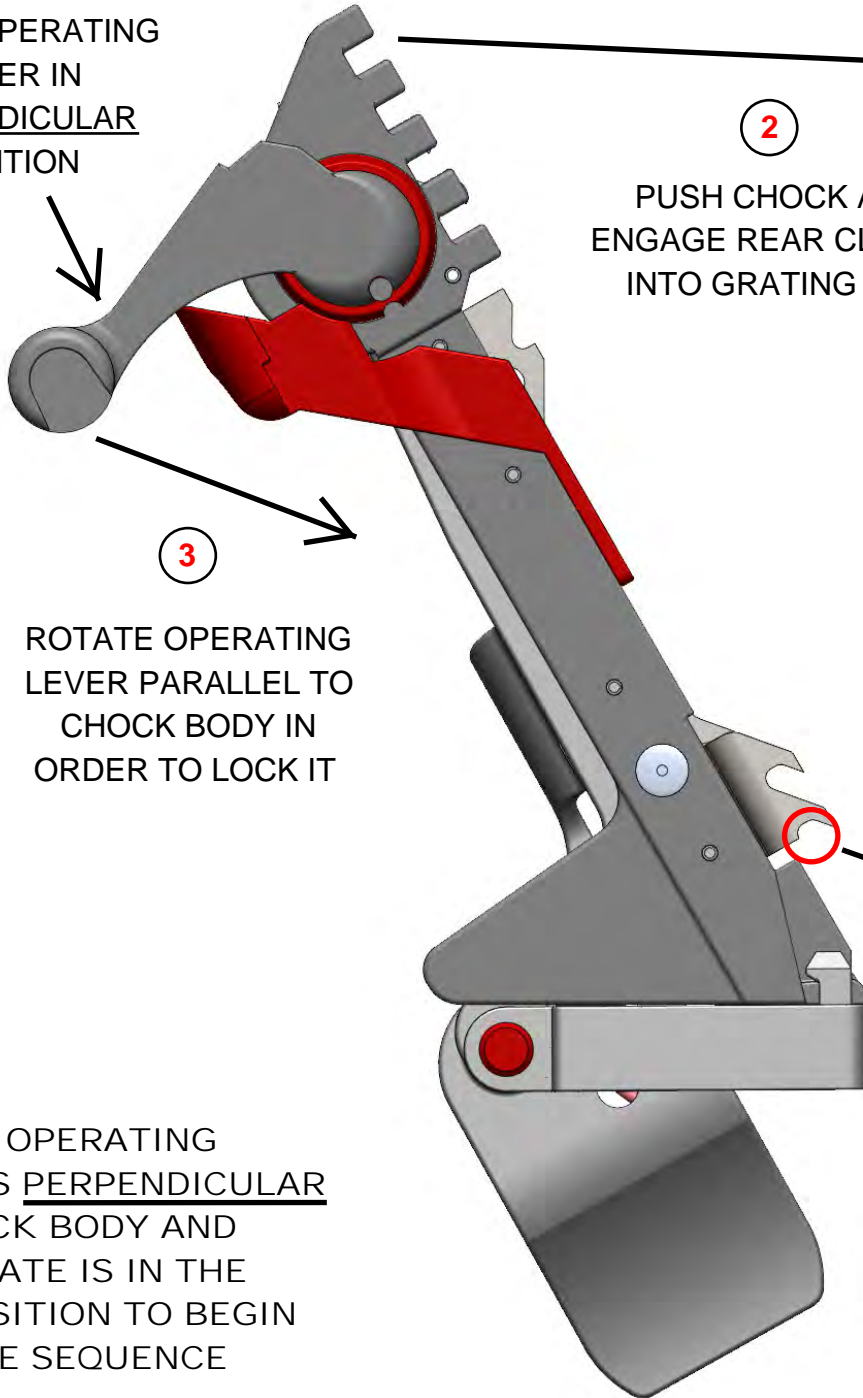
UNIVERSAL STORAGE PAD

HOLDEN GRATE-LOCK[®] CHOCK

STORAGE INSTRUCTIONS

USP LOCK HANDLE IS NOT REQUIRED
FOR THIS CHOCK MODEL

CHOCK OPERATING
LEVER IN
PERPENDICULAR
POSITION

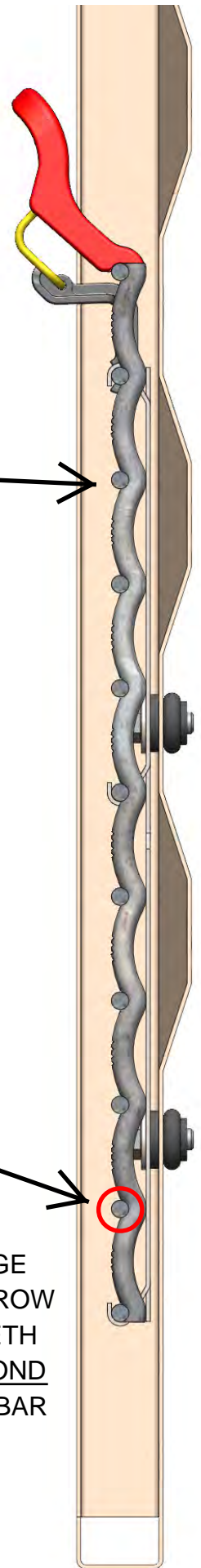


②
PUSH CHOCK AND
ENGAGE REAR CLEATS
INTO GRATING PAD

③
ROTATE OPERATING
LEVER PARALLEL TO
CHOCK BODY IN
ORDER TO LOCK IT

ENSURE OPERATING
LEVER IS PERPENDICULAR
TO CHOCK BODY AND
FACE PLATE IS IN THE
LOW POSITION TO BEGIN
STORAGE SEQUENCE

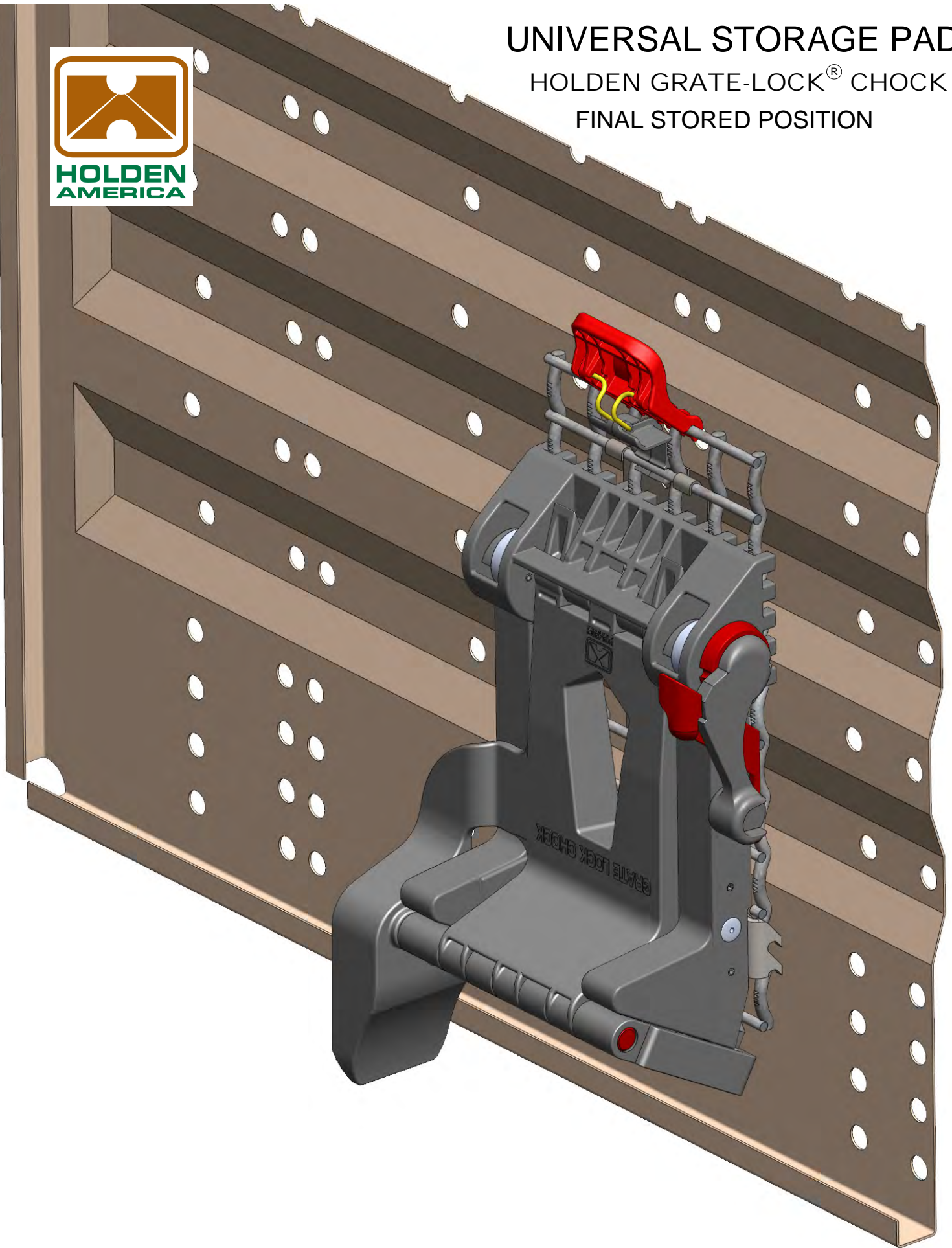
①
ENGAGE
FRONT ROW
OF TEETH
IN SECOND
CROSSBAR



UNIVERSAL STORAGE PAD

HOLDEN GRATE-LOCK[®] CHOCK

FINAL STORED POSITION

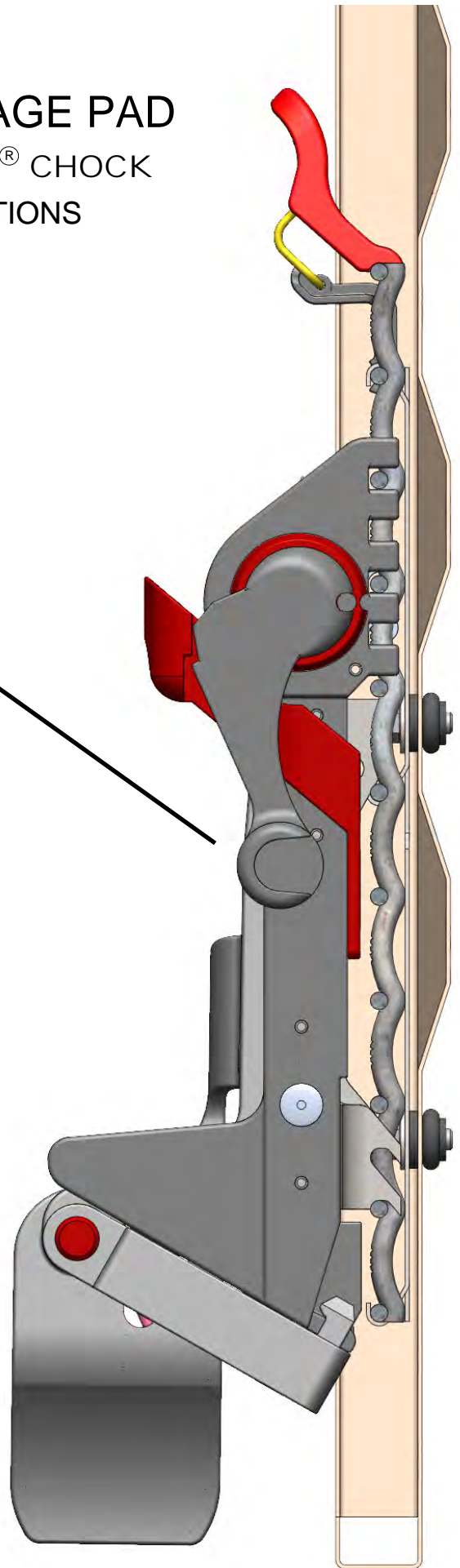
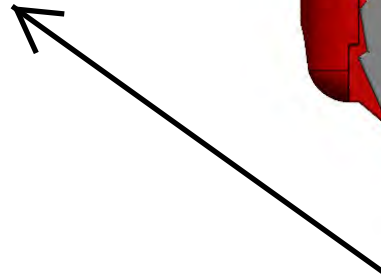




UNIVERSAL STORAGE PAD

HOLDEN GRATE-LOCK[®] CHOCK REMOVAL INSTRUCTIONS

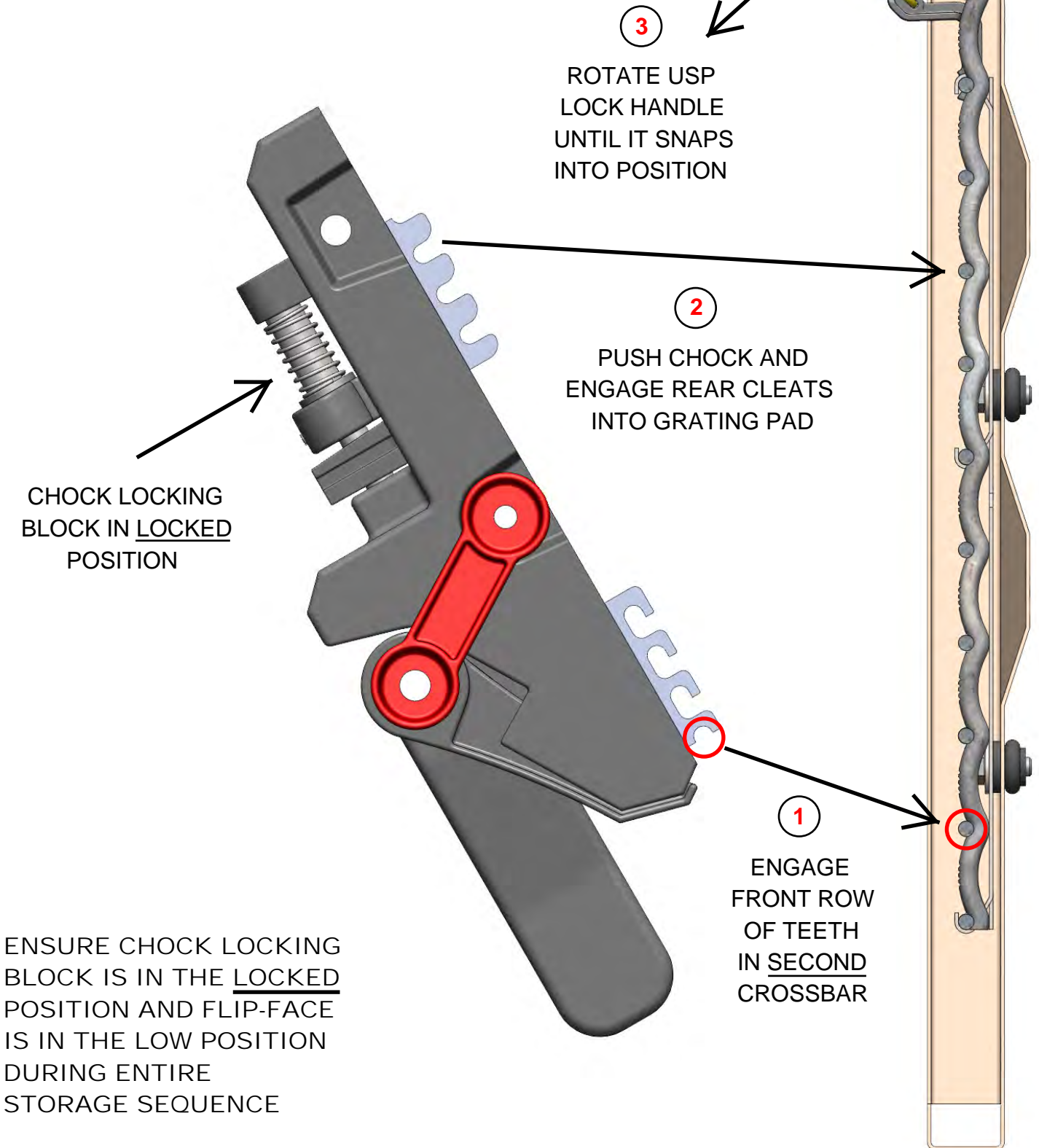
①
ROTATE OPERATING
LEVER TO UNLOCK
CHOCK AND PULL OUT





UNIVERSAL STORAGE PAD

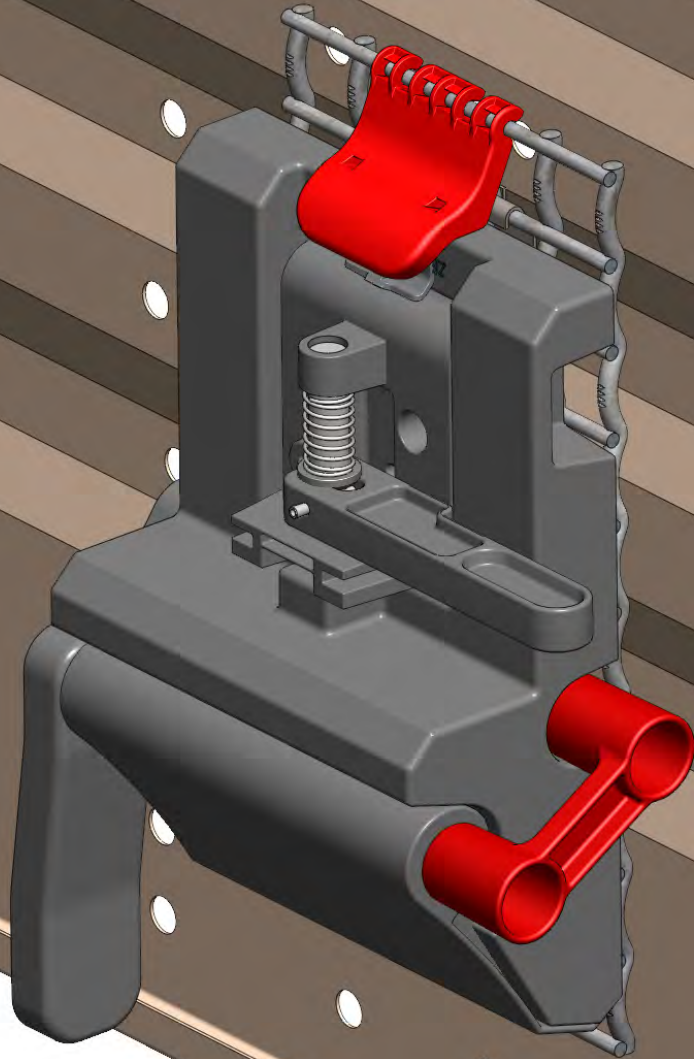
ZEFTEK STA-PUT CHOCK STORAGE INSTRUCTIONS



UNIVERSAL STORAGE PAD

ZEFTEK STA-PUT CHOCK

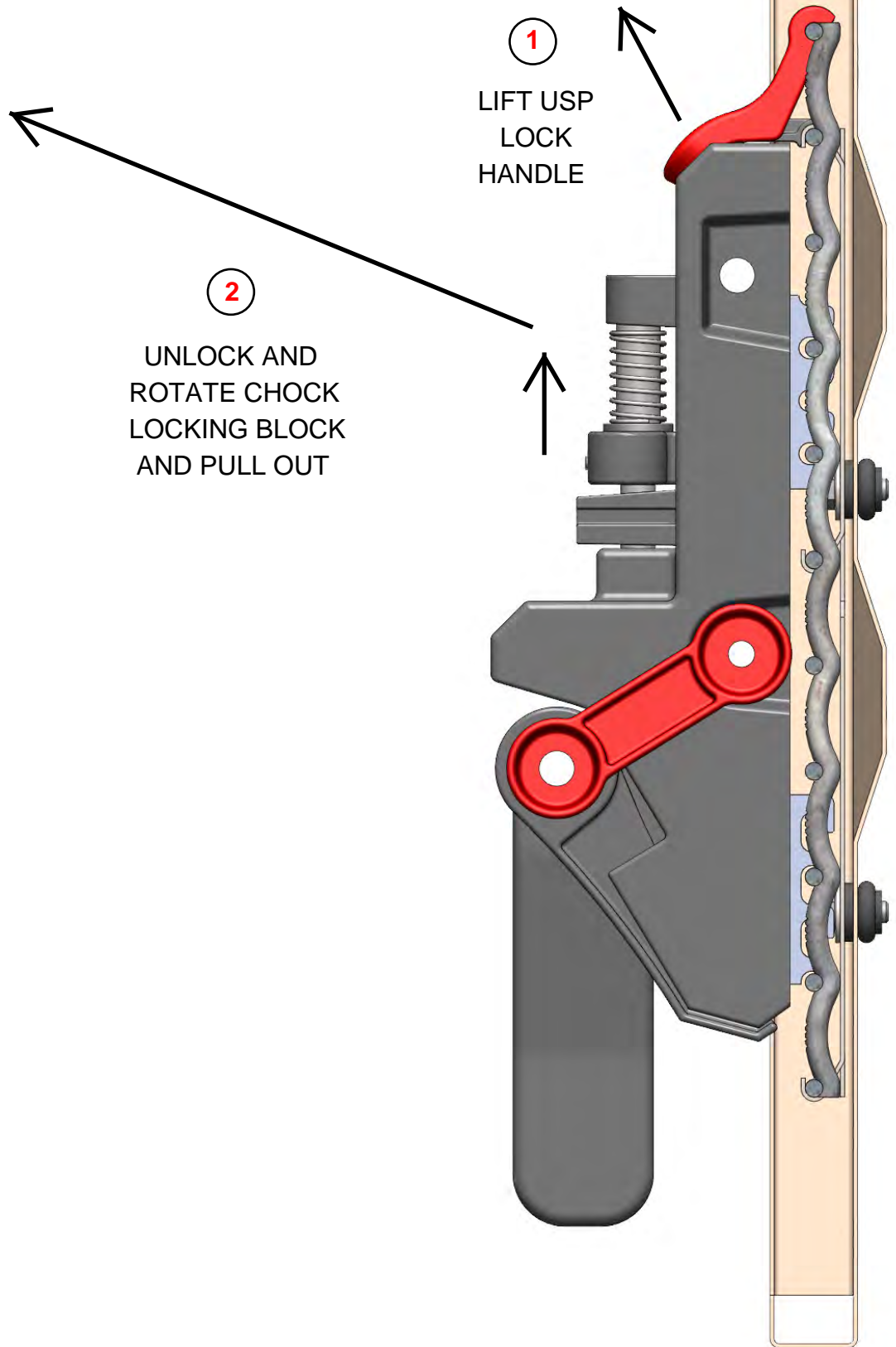
FINAL STORED POSITION





UNIVERSAL STORAGE PAD

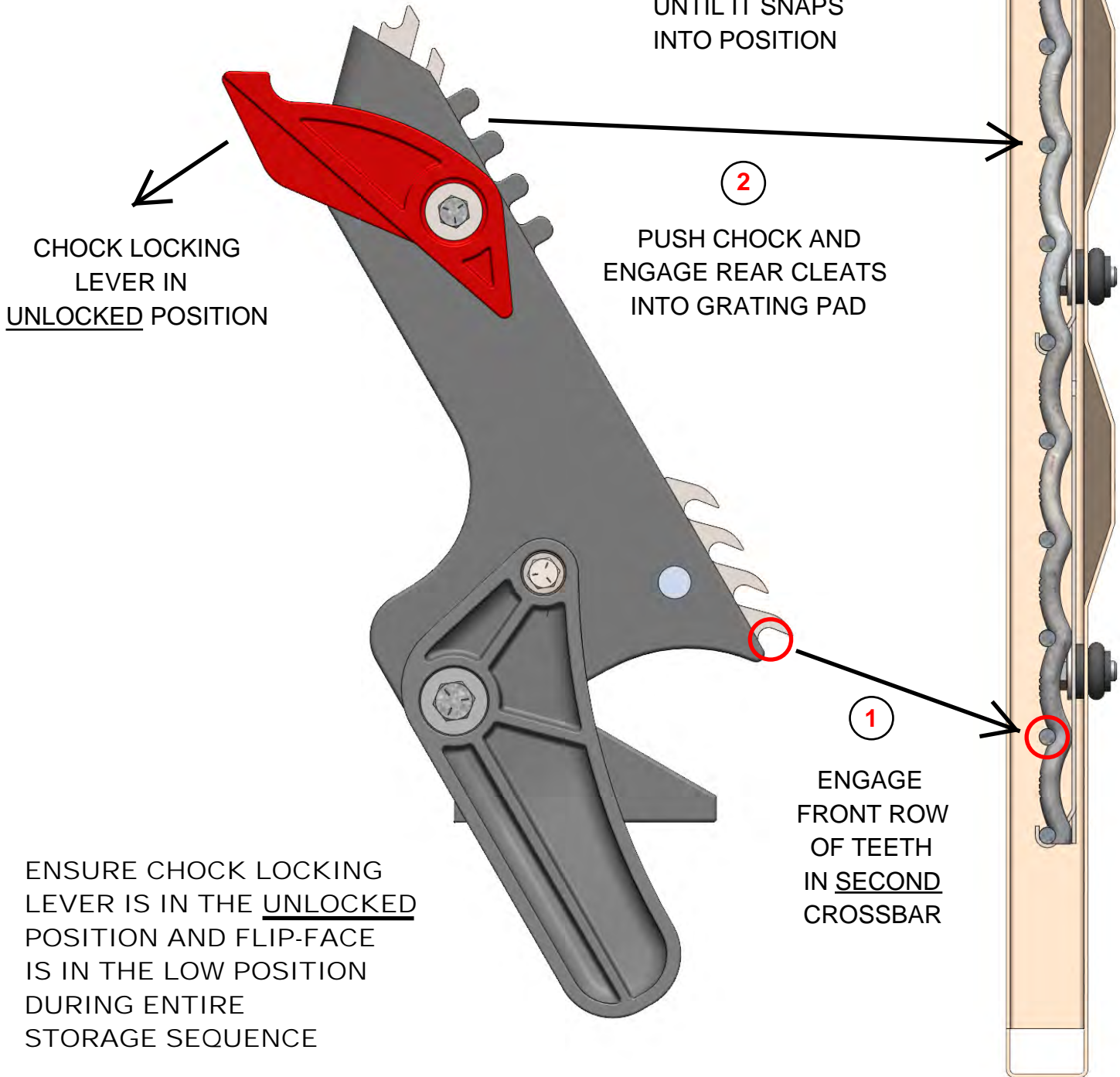
ZEFTEK STA-PUT CHOCK REMOVAL INSTRUCTIONS





UNIVERSAL STORAGE PAD

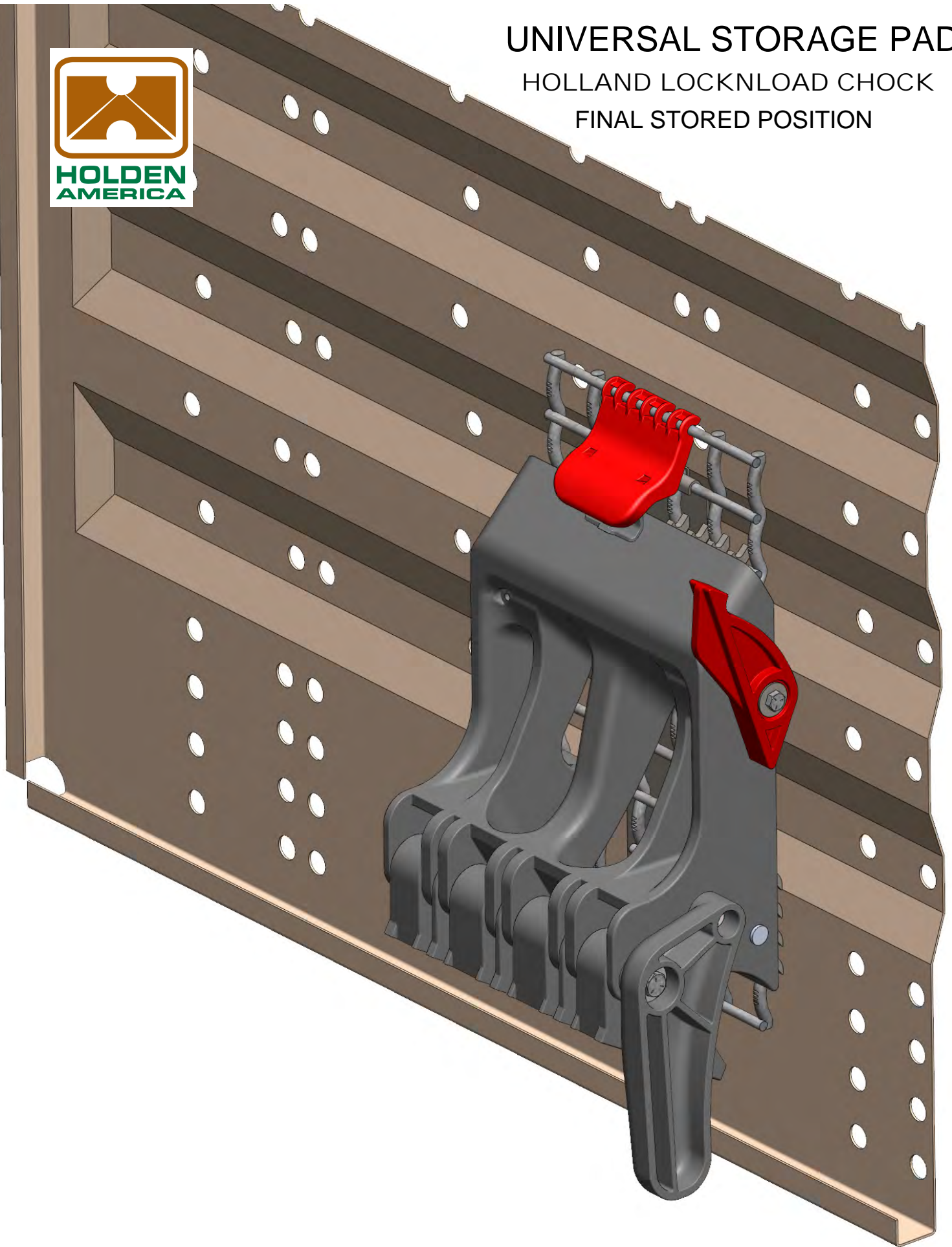
HOLLAND LOCKNLOAD CHOCK STORAGE INSTRUCTIONS



UNIVERSAL STORAGE PAD

HOLLAND LOCKNLOAD CHOCK

FINAL STORED POSITION





UNIVERSAL STORAGE PAD

HOLLAND LOCKNLOAD CHOCK REMOVAL INSTRUCTIONS

